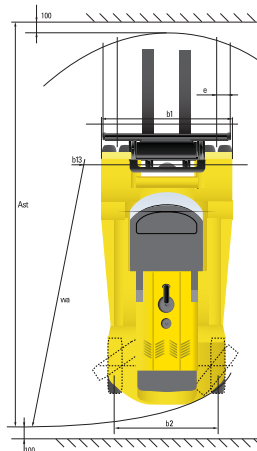
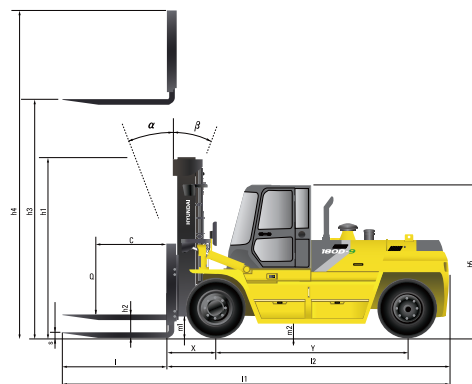


Seat
Easily adjustable suspension seat.



Dimension



Advanced LCD Monitor



Operator friendly gauges and water-resistant monitor panel



Rear view camera



Rear LED combination lights

Specification

	Item	Unit	180D-9		
Fork	Load capacity / rated load	Q	kg	18,000	
	Load center distance	c	mm	900	
	Lift height	h3	mm	4,020	
	Free lift height	h2	mm	0	
	Lift speed, loaded / unloaded		mm/s	370 / 420	
	Lowering speed, loaded / unloaded		mm/s	420 / 300	
Mast	Fork dimensions	l x e x s	mm	2,450 x 250 x 100	
	Mast / fork carriage tilt forward / backward	(α , β)	degrees	10 / 10	
	Extended mast height	h4	mm	5,660	
	Lowered mast height	h1	mm	3,700	
	Travel speed	loaded unloaded	km/hr	36.1 37.5	
Performance	Max. gradient performance (loaded)		%	31.1	
	Max. drawbar pull (loaded)		kg	15,305	
	Outside turning radius	Wa	mm	5,220	
	Service weight		kg	27,015	
	Overall length	l1	mm	8,045	
	Length to face of forks	l2	mm	5,595	
Equipment	Load distance, center of drive axle to fork	x	mm	999	
	Overall width	b1	mm	2,540	
	Overhead guard (cab) height	h5	mm	2,990	
	Ground clearance	Mast (unloaded) Wheelbase	m1 m2	mm	245 370
	Wheelbase	y	mm	3,750	
	Track width (front/rear)	b2	mm	1,860 / 2,063	
Engine	Manufacturer / Type	-		BENZ (MTU) / OM936 (6R1000)	
	Power acc. to ISO 1585		kW	210	
	Rated speed		1/min	2,200	
	No. of cylinder / cubic capacity		ea / cc	6 / 7,700	
Others	Type of drive control	-		Power shift	

* Standard and optional equipment may vary. Contact your Hyundai dealer for more information. The machine may vary according to International standards.
* Materials and specifications are subject to change without advance notice.

New Diesel Forklifts

www.hyundai-ce.com

180D-9

Your satisfaction is **our priority!**

Hyundai introduces a new line of 9-series diesel forklift trucks. The newly designed counterbalance trucks provide every operator comfortable driving, increased productivity and easy maintenance.



 **HYUNDAI**
HEAVY INDUSTRIES CO.,LTD.