

AGRI LOADALL



A Product of Hard Work





**More versatile, more productive, more durable, more reliable  
It's the world's number one telehandler for a reason**



## WORLD-LEADING INNOVATION & PERFORMANCE



The demands placed on agricultural machines are extreme: more extensive farms mean more distance to travel and more time spent in the cab carrying out more diverse tasks. The JCB Loadall gives – and keeps on giving – you more. Part of the JCB agricultural range, the 25 Loadall models (more than any other manufacturer) build on our heritage in agriculture and the experience gained since we pioneered the telescopic handler concept in 1977.

The result is a solution to fit every need and every size operation, all designed specifically for agriculture, not adapted from construction. Superb productivity comes from the powerful engines and hydraulics, with cutting-edge JCB innovation to boost performance even further. Fast travel speeds, a wide range of attachments, luxurious comfort and effortless control for daylong working. The Loadall is the perfect partner for your tractor.

## Every last ounce of power is harnessed

## Giving unbeatable productivity and economy

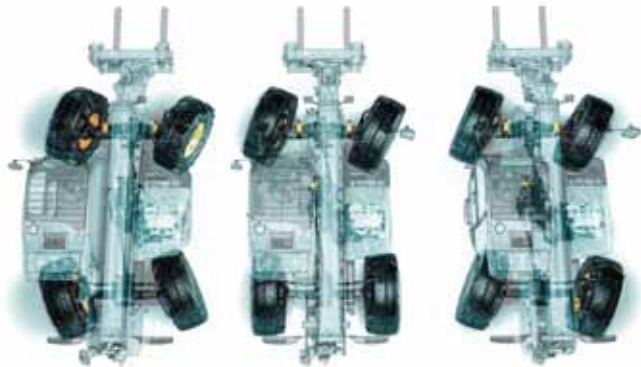
You need a tractor for field work. Add the world's number one telescopic handler to your armoury and virtually every single other task on the farm is covered: all done with incredible power, speed, manoeuvrability and versatility.

No other manufacturer offers a wider range: 25 Agri models with lift capacities from 2 to 4.1 tonnes, and lift heights from 4 to 9.5m. And within this you can tune machine spec even more finely to your needs, with Agri, Agri Plus, Agri Super and Agri Xtra packages.

The world-beating performance statistics of these machines start with brute force. Specifically, the Dieselmix engine which in 2006 powered the world's fastest diesel car, reaching an incredible 350.092mph (563.418kph). In Loadalls, this visionary piece of engineering delivers high power and plenty of torque enabling them to take off quickly and drive into piles of muck, grain or silage.\*

These engines work hard but, more importantly, every ounce of work they are doing is harnessed, nothing is lost, thanks to JCB's unique, patented TorqueLock. This innovation takes over in fifth and sixth gear to eliminate torque converter slippage, increasing speed, saving time and fuel, and allowing you to go faster uphill or when towing a trailer, for example.

Once the Loadall is where you need it to be - with a top speed of 40kph\* this happens very quickly - it is about accomplishing the task. And with class-leading hydraulics for faster cycle times, enviable manoeuvrability and real versatility, you can take superb productivity for granted.



*\* Model dependant*

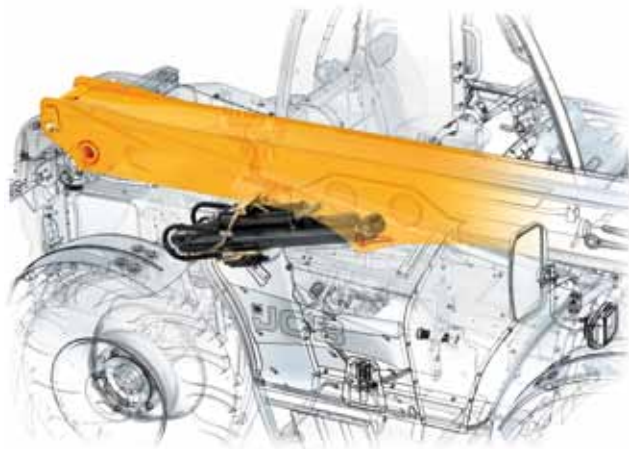






## Any job, anywhere

You can accomplish more,  
more quickly, with a Loadall



Getting the job done is about three things. First, hydraulics. A range of pump options, right up to our class-leading Variflo hydraulics, translates power into efficient lifting, extending and pushing for fast cycle times.

Second, manoeuvrability and stability. Whether it is a 4-wheel steer model or, as with most of the Loadalls, a 3-steer mode machine (2-wheel, 4-wheel and crab steer), fast, safe operation is a given.

The narrow chassis and good steering lock give tight turning, while a long wheelbase and low centre of gravity ensure excellent stability. Add advanced and innovative engineering in the form of JCB's Smoothride System\* and you have excellent load retention, improved even further by parallel lift which automatically raises and lowers forks or shovels parallel to keep more load on board.

In tough conditions, the Loadalls' limited slip differentials\* come into play, increasing traction to keep you working. Plus these machines are designed to give good ground clearance and departure angle, so you can access all areas.

Last but not least, flexibility. It is in the very nature of a Loadall, with its telescopic arm, to be a supremely versatile performer. JCB add to this a diverse range of attachments to optimise machine potential, while a constant flow auxiliary service\* allows you to operate motorised attachments. Thanks to quick couplers, changing attachments is fast so you can switch from task to task and accomplish more.

*\* Optional, model dependant*







## **A comfortable driver is a productive driver**

**And no one is more comfortable  
than a Loadall driver**



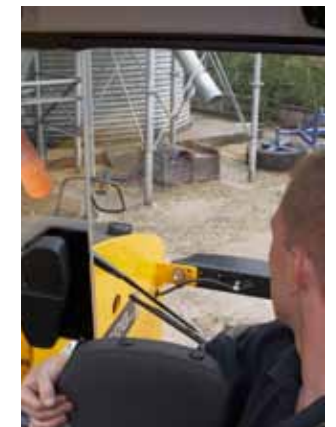
Productivity and comfort go hand in hand; if the driver is jolted around, too hot or cold, constantly twisting and reaching, and can't see clearly, he won't spend as long in the cab or get as much done. So we make sure that a Loadall driver = a happy driver = a productive driver.

We've talked about how the Smoothride System irons out bumps to keep the load on board. A by-product of this performance feature is that it also cushions the ride for the operator.

In fact, Loadalls offer best-in-class comfort with: one of the largest cabs in the industry, class-leading noise levels; excellent air flow, ventilation and demisting, with optional aircon; and a fully adjustable suspension seat and steering column for the optimum driving position.

The whole point of any cab is to put the operator in control, and the Loadall does this with simplicity and style. Ergonomic, intelligent arrangement of all dials and switches makes for intuitive, relaxed operation, while most models have either low-effort single-lever controls (light and comfortable) or seat-mounted servo controls (smooth and effortless) making it quick and easy to grasp precise operation.

Control is maximised by making it easier for operators to see what they're doing. Low booms, large cab and roof windows and angled roof protection bars all combine to give all-round clarity for, not just superb productivity, but also for personal safety and machine protection.







## JCB legendary quality

### Excellence in every process and every component



For some, quality is an elusive characteristic. Not for JCB. Quality exudes from the Loadall, with the automotive styling and luxury cab interior immediately pointing to a very fine machine. But quality is also in the attention to detail; JCB's commitment to constantly improving and innovating down to the very last nut and bolt.

From our sophisticated design process to manufacturing and assembly, quality is our watchword. In design, we use finite element analysis to eliminate high-stress components for long-life structures. In manufacturing all our processes are backed by ISO 9001:2008 to guarantee consistently high standards. And post assembly, we put our machines through 1000s of rigorous testing cycles, so we know they are built to last.

At the core of each machine is sheer strength. We know how demanding agricultural applications are. So the Loadall's one-piece, fully welded chassis is manufactured from thick steel to add an extra-robust edge. The engine is mounted directly onto the chassis to reduce stress and encourage continued high performance.

The engine itself - the record-breaking Dieselmax - is engineered to provide high torque at low revs, prolonging its life. It is also perfectly matched with the transmission, axles, cab and rams; all elements are designed and manufactured by JCB to work in perfect harmony for a high quality, durable total package.\*

*\* Model dependant*







## Built to last for longer

Enviably quality, incredible strength,  
unrivalled durability



Continuing the complete quality story, we move from the rigid chassis – which also features heavy-duty axle feet designed to absorb the immense stresses generated during continuous loading work – to the boom.

All Loadall booms are built for long-term performance and durability, with particular attention paid to wear points. To add vital strength when carrying out tough tasks like shovel work, we use a U-shaped pressing and fully welded closing plate.\* The integrated boom nose design, incorporating thick, heavily reinforced sections with large boom overlaps, provides even greater reliability and durability in this high-stress area.

For additional structural integrity, we use keyhole castings to attach the tilt, lift and extension rams. Meanwhile, the lift rams are centrally mounted to avoid offset stresses and twisting of the boom.

Just a few more examples of where our eye for quality makes a real impact on machine life are: the hoses routed inside the boom for extra protection (and improved visibility); an electrophoretically dipped cab for long-term corrosion prevention; and folding lights\* to prevent machine damage,

Taken all together, you have a quality product that will continue to perform at the top of its game for a very, very long time.

*\* Model dependant*



*Integrated nose and one-piece closing plate*



*U-shaped boom profile*



*Hoses are routed through the boom*







## Versatile, reliable, economical with good residuals

### A Loadall is a wise investment

The demands placed on farm machines are greater than in virtually any other environment. So making the right decision, especially if you are only investing in a few key machines, is crucial. There is a lot to consider but the wise investor pays close attention to cost of ownership: the lifelong costs that add up to how valuable any one machine is going to be to your operation.

When it comes to return on investment, Loadalls are a combination of three things. One, innovative performance features that save you money in the long run. TorqueLock, for instance, cuts both fuel and the time it takes to complete a task. Another example is the 4-wheel-drive disconnect switch which saves wear on tyres and the transmission.

Two, our machines are built to be as versatile and reliable as possible. You will find you can do more with a Loadall, more of the time, so you are always putting your investment to the best possible use.

And three, residual value. This is the world's number one telescopic handler, so the integral quality, value of a global brand and luxury styling all point to excellent resale potential.

Together, these three things add up to a very wise investment. Plus, we make investing a whole lot easier too, with flexible finance and insurance solutions, extended warranties and service packages.







## Excellent serviceability, excellent security

These machines are always ready  
and waiting to go to work



You buy a performance car and it spends most of the time with the mechanics. That's a disappointment. You buy a telescopic handler and it lets you down. That's a disaster for your business. Livelihoods depend upon our machines always being ready to work and that's a responsibility we take seriously.

Along with quality and durability, another key factor in maximising machine uptime is easy serviceability. With a Loadall, all checks are quick, simple and safe to carry out from ground level. The one-piece bonnet is on a gas strut for ease and safety; the radiator chaff guard and reversing fan keeps out debris; the fold-out cooling package is easy to clean, as is the flat floor with drainage channels; and most service intervals, including boom lubrication, are at 500 hours.

So you have a machine in A1, tip-top condition. Now you need to make sure it stays your machine, with additional security features to put off would-be thieves and vandals. For example, all Loadalls windows are etched with serial numbers to aid recovery, and a battery isolator immobilises the machine making it impossible for anyone else to restart.







## **Exceptional manoeuvrability can negotiate even the most restricted farms**

A choice of 3 steer modes on most machines: 2-wheel steer, 4-wheel steer and crab.

Other machines offer 4-wheel steer.

Optional patented auto-steer mode allows simple changes between the 3 steer modes with no need to align the wheels visually.

Limited slip differentials increase traction in difficult conditions

## **Incredible power and speed for enhanced productivity**

JCB Dieselmix engine on most models provides high power and plenty of torque at a low engine speed.

TorqueLock eliminates torque converter slippage in fifth and sixth gear, increasing speed and saving fuel.

Up to 40kph transmission gives fast travel around the farm.

5-, 8- and 10-tonne capacity tow hitch allows you to tow trailers.

## **Excellent all-round visibility enhances safety**

Hoses are routed inside the low boom for improved visibility (and damage protection).

Angled roof bars give optimum upwards visibility.

Large cab and roof windows provide a clear view.

## **Efficient and effective lifting, extending and pushing**

A choice of multiple gear pumps for fast cycle times, or Variflo hydraulics for class-leading cycle times.

Extra-large hydraulic pipes on Xtra models ensure even faster hydraulic speed, lower losses and more efficient operation.

Smoothride System retains the load better when working and roading.

Forks are automatically raised parallel to retain the load.

Transmission disconnect diverts engine power for fast hydraulic cycles.

Long wheelbase and low centre of gravity aid stability.

Constant flow auxiliary service allows you to operate motorised attachments, such as straw spreaders, feeding/mixing buckets and sweeper collectors

## **Robust, reliable, durable design for daylong working**

Finite element analysis eliminates high-stress components for a long-life structure.

One-piece fully welded chassis equals maximum strength and minimum weight.

Chassis-mounted engine reduces stresses.

U-shaped boom pressing and fully welded closing plate add strength and reliability.

Keyhole castings used to attach tilt, lift and extension rams add to structural integrity.

Centrally mounted lift rams avoid offset stress and twisting.

Electrochemically dipping the cab prior to painting gives long-term corrosion protection.

Folding lights prevent site damage.

Ground-level servicing and 500-hour service intervals

## **Effortless, precision control results in maximum productivity**

Ergonomically positioned, easy-to-understand controls reduce operator fatigue.

Intelligent grouping of dials and switches makes operation easier.

Most machines feature low-effort, single-lever controls, while some boast seat-mounted servo controls.

Load hold check valves are fitted to lift, tilt and extension rams for safety in the event of a hose problem.

Eye-level load moment indicator gives a progressive read out of forward stability.

## **Best-in-class cab comfort and styling extends the working day**

One of the largest cabs available.

Effective insulation keeps noise to class-leading levels.

Carefully placed vents give excellent air flow, ventilation and demisting (air-conditioning is an option).

Comfort is assured with a fully adjustable suspension seat and steering column.

Extra comforts include a storage area, mobile phone holder and cup holder.

*Specification varies by model and region. Please see your local dealer for details*





## Exceptionally versatile

### JCB attachments help you get even more from your machine

When every part of your machine works in harmony, the result is superlative performance. JCB attachments are all designed and manufactured to be perfectly matched to your machine. We use only top quality components combined with engineering expertise and exhaustive testing to ensure quality, reliability and durability.

The range of attachments is designed to answer specific tasks around the farm, from a bale spike, beet basket and shovels, to speciality hydraulic attachments which can be speedily interchanged using the hydraulic quick couplers. We offer real solutions to specific customer needs, maximising the versatility and profitability of your JCB Loadall.



#### BEET BASKET

Specialist attachment for handling all types of root crops  
Spaced bar design allows mud and small material to fall through  
Substantial toeplate gives long-lasting protection  
Round-bar leading edge to prevent damage to the crop  
Available with a choice of bracket options



#### GRAIN PUSHER

Specialist attachment to aid the stockpiling of grain  
Heavy-duty box section design provides strength and durability  
Available with a choice of bracket options





### SHOVEL

Grain/potato and rehandling versions available  
 Rolled-back shell for easy material ejection  
 Weld in toeplate to prolong shovel life  
 Grain/potato version has round bar on leading edge to prevent damage to root crops  
 Available with a choice of bracket options



### MUCK FORK & GRAB

Available with power grab or round-top grab  
 Available with standard, Kverneland or Hardox tines  
 Supplied with tail hoses as standard  
 Side tines for improved material retention  
 Available with a choice of bracket options



### SWEeper COLLECTOR

Combined steel and polypropylene brushes tackle most material  
 Generous hopper with hydraulic discharge operated from cab  
 Heavy-duty one-piece canopy  
 Gutter brush and dust suppression sprinkler options



### MULTISHOVEL

Combines a shovel and top grab to provide a multi-purpose attachment  
 Substantial toeplate gives long-lasting protection to shovel  
 Rolled-back shell for easy material ejection  
 Removable side plates for handling awkward loads  
 Available with a choice of bracket options



### SHEAR GRAB

Specialist attachment for cutting grass and maize silage from the clamp  
 Kverneland tines fitted as standard for extra strength  
 Heavy-duty design for increased durability  
 Available with a choice of bracket options



### BALE SPIKE

Available in single- or twin-bale format for handling round bales up to 1.8m diameter  
 Kverneland tines fitted as standard for extra strength  
 Twin-spike version can also be used for handling large square bales  
 Anti-rotation tine fitted as standard for improved stability  
 Available with a choice of bracket options



### BIG BALE TRIPLE GRAB

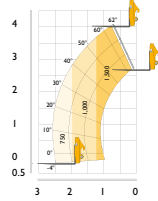
Easy handling of 3 x 800 bales or 2 x 1200 bales  
 Curved tines penetrate and grip the bales without damage  
 Hydraulically operated from the cab



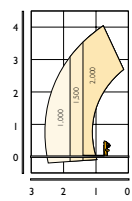
### WRAPPED BALE CLAMP

Twin-roller design eliminates damage to the bale wrapping  
 Removable rollers mounted on Kverneland tines allowing the attachment to be used as a twin-bale spike  
 Free rotating rollers allow stacking of bales without the risk of damage  
 Available with a choice of bracket options

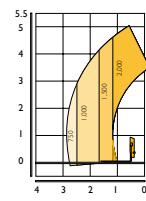
515-40 AGRI



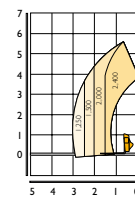
520-40 AGRI



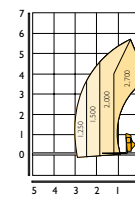
520-50 AGRI



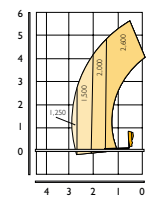
524-50 AGRI



527-55 AGRI

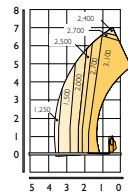


526-56 AGRI

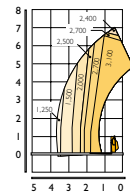


Maximum lift capacity	kg	1500	2000	2000	2400	2700	2600
Maximum lift height	mm	4000	4035	5000	5300	5600	5600
Maximum forward reach	mm	2535	2590	2820	2900	3300	2950
Gross power	hp (kW)	51 (37.5)	50 (37.5)	83 (61.5)	85 (63)	85 (63)	100 (74.2)
Maximum travel speed	kph	20	20	30	29	29	33 / 40
Operating weight	kg	3421	4400	4870	5500	5650	6270
Variflo hydraulics		-	-	-	-	-	-
Cab mounted servo joystick		-	-	-	Option	Option	Option
Seat mounted servo joystick		-	-	-	-	-	-

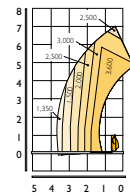
531-70 AGRI SUPER



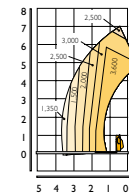
531-70 AGRI XTRA



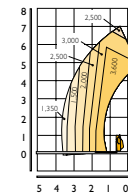
536-70 AGRI



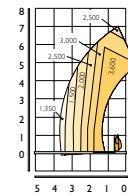
536-70 AGRI PLUS



536-70 AGRI SUPER










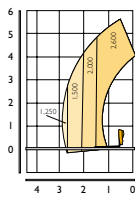
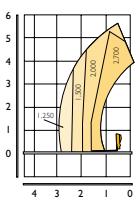
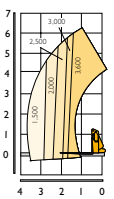
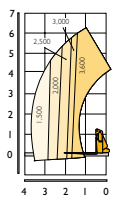
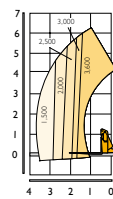
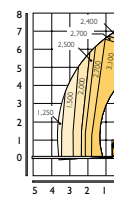
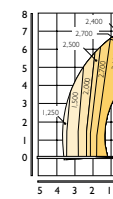
536-70 AGRI XTRA



Maximum lift capacity	kg	3100	3100	3600	3600	3600	3600
Maximum lift height	mm	7000	7000	7000	7000	7000	7000
Maximum forward reach	mm	3700	3700	3700	3700	3700	3700
Gross power	hp (kW)	130 (97)	130 (97)	100 (74.2)	130 (97)	130 (97)	130 (97)
Maximum travel speed	kph	40	40	33	33	40	40
Operating weight	kg	7100	7100	7600	7800	7800	7800
Variflo hydraulics		✓	✓	✓	✓	✓	✓
Cab mounted servo joystick		✓	-	✓	✓	✓	-
Seat mounted servo joystick		-	✓	-	-	-	✓








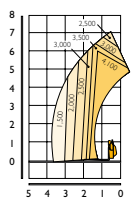
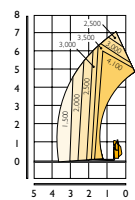
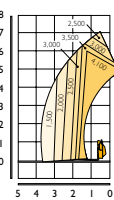
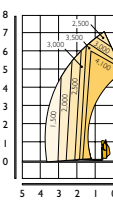
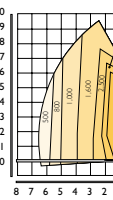
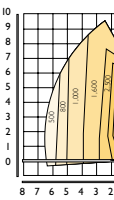
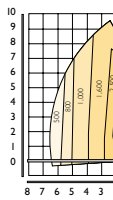


526-56 AGRI PLUS      527-58 AGRI      536-60 AGRI      536-60 AGRI PLUS      536-60 AGRI SUPER      531-70 AGRI      531-70 AGRI PLUS

						
						
2600	2700	3600	3600	3600	3100	3100
5600	5800	6200	6200	6200	7000	7000
2950	3000	3300	3300	3300	3700	3700
114 (85)	100 (74.2)	100 (74.2)	130 (97)	130 (97)	100 (74.2)	130 (97)
33 / 40	30/40	33	33	40	33	33
6270	5500	7000	7200	7200	6900	7100
-	-	✓	✓	✓	✓	✓
✓	✓	✓	✓	✓	✓	✓
-	-	-	-	-	-	-

Lift chart for 20" wheel. Low Cab variant.

541-70 AGRI      541-70 AGRI PLUS      541-70 AGRI SUPER      541-70 AGRI XTRA      535-95 AGRI      535-95 AGRI PLUS      535-95 AGRI SUPER

						
						
4100	4100	4100	4100	3500	3500	3500
7000	7000	7000	7000	9500	9500	9500
3700	3700	3700	3700	6520	6520	6520
100 (74.2)	130 (97)	130 (97)	130 (97)	100 (74.2)	130 (97)	130 (97)
33	33	40	40	33	33	40
7600	7800	7800	7800	7820	8020	8020
✓	✓	✓	✓	✓	✓	✓
✓	✓	✓	-	✓	✓	✓
-	-	-	✓	-	-	-

## Your machine – working efficiently, secure and in good health

JCB LiveLink and Guardian are  
the key to all three



As part of our dedication to looking at new, innovative ways to help you get the most out of your machine, our latest development is JCB LiveLink: an advanced machine monitoring system that enables you to better protect your investment and accurately monitor and improve machine performance.

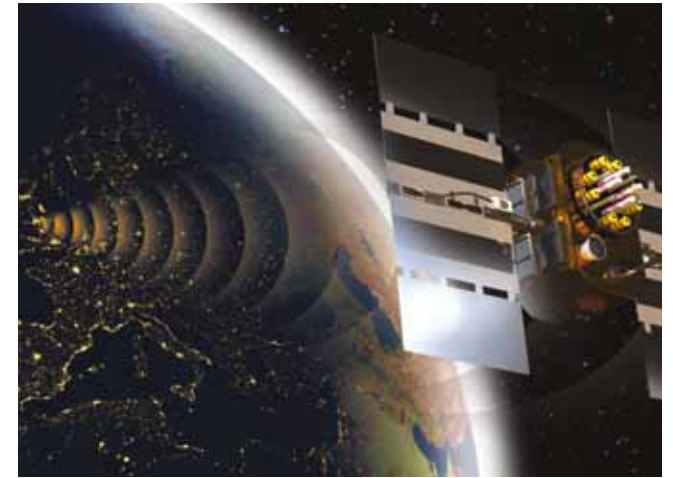
JCB LiveLink is a software system that enables JCB owners to monitor and manage their machines remotely. All you need is a PC connected to the internet. The LiveLink computer is built into the machine where it collects information from a number of sensors. This information is sent, using mobile communications technology, to JCB's secure data centre. Machine management information is then displayed to users via the LiveLink website, by email or via mobile phone.

By providing you with information on the usage and productivity of your fleet, JCB LiveLink enables you to keep track of each machine's efficiency, ensuring that you get the best value for money possible.

By providing information on the location, movement and activity of machines, the system can also assist in ensuring machines are operated at the correct times and helps to protect them from theft. And, JCB LiveLink helps machine owners to confirm that their machines are well maintained and in good health without having to travel around work sites inspecting machines.

In response to increasing concerns regarding machine security, we now also offer JCB Guardian as an option on every new JCB machine. JCB Guardian is a package of theft protection and monitoring systems that includes LiveLink telemetry along with \*CESAR identification, immobiliser technology and a host of optional locks and guards. It's your peace of mind solution that can also result in considerable insurance premium savings.

*\*Territory specific*





## JCB Assetcare

### Flexible aftercare solutions

JCB Assetcare is a range of flexible service options designed to ensure you get the very highest standards of machine servicing, no matter what your budget. It guarantees you the optimum level of aftersales support, with highly skilled, factory-trained engineers using genuine JCB parts and lubricants to maintain maximum machine performance. This allows your machine to be covered to maximise uptime and profitability throughout its operating life.

*“For complete peace of mind  
and cost predictability  
choose JCB Assetcare.”*

JCB Assetcare offers you the following options, which can be tailor-made to meet your specific requirements including excellence as standard:

For complete peace of mind and total budget predictability, your JCB dealer can offer a **Full Repair and Maintenance package**, with a fixed monthly sum covering all regular maintenance and necessary repairs including **Flexicare** for excavators and wheeled loading shovels, to give a pay by the hour alternative.

A **JCB Service Agreement** allows you to plan and manage your maintenance budget over a period of hours, or years of machine use, as determined by you. The price is maintained for the duration of the agreement and includes all parts, lubricants, labour and travel to maximise your machine performance.

**JCB Sure Price Service (pay as you go)** includes all genuine JCB lubricants, filters, greases and other parts and is carried out as you require it. The all-inclusive price also covers labour, 100 point check and any travel. Service intervals are hours based (usually every 500 hours) and no prior agreement is required; simply advise your dealer when the machine reaches the recommended service interval for great value for money.

**JCB Machinery Protection Plan** protects you against any unexpected failure for up to 2, 3, 4 or 5 years or up to 10,000 hours depending on machine type. You can take up a Machinery Protection Plan at any time during the first three months of ownership, and the package is transferable on the initial machine sale. Coverage options are 500, 1000, 1500 or 2000 hours per year (model dependent).

**JCB Driveline Protection Plan** – sign up to a Service Agreement on Backhoe or Loadall mechanical transmission machines and get FREE Driveline Protection for every 1,000 hours you commit to (covers Engine, Transmission and Axle).

*For the full terms and conditions of the above programmes please speak to your local dealer.*



## A few words about JCB

A groundbreaking, world class family business with a commitment to supporting our customers and protecting the environment



**A family company on a global scale.** JCB is no ordinary company. From the dreams of one man, Joseph Cyril Bamford, we have grown into the world's largest privately owned construction equipment company. Since 1945, the same attention to detail, passion for progress and family spirit has taken us from strength to strength.

Nowadays JCB operates across five continents, manufacturing at 18 factories in the UK, Brazil, Germany, China, North America and India. With 1,500 dealer depots selling and supporting our products in over 150 countries, we are the global market leader for backhoe loaders and telescopic handlers.

**A history of world-class innovation.** Our business has always been driven by innovation, using only the most advanced technology, meticulous design, precision engineering and rigorous testing. Evidence of this commitment to innovation is illustrated in our revolutionary JCB Dieselmix engine. Having grabbed the headlines when it smashed the world diesel land speed record at 350.092mph, it is now providing our customers with tomorrow's performance today.



**Doing things more efficiently, more sustainably.** Since 2007 we have reduced our carbon emissions by 20%. We are continually working to further reduce the carbon footprint of our operations and, in partnership with our suppliers, our whole supply chain. We are also committed to designing our products to be sustainable during manufacturing, over the life of the machine and through end-of-life recycling. Our new Eco machines, for example, offer significant fuel and carbon savings; an average of 16% on the Eco backhoes and 22% on the 8085 Eco.





## The best back-up in the business

Whether we're providing you with support, parts or finance, we aim for 100% satisfaction. It's all part of our promise to put you, the customer, first



**Wherever you are, we are.** Our mission to provide world-class support and deliver 100% satisfaction reaches into more than 1,500 dealer depots, spanning 150 countries across five continents. The aim? To bring you global expertise at a local level. We truly believe no other manufacturer does more to understand the subtle differences between one region of the world and another. It's a degree of attention that we maintain at every level of the company and an assurance to our customers that wherever they are in the world, JCB will fulfil their needs.

**Trust the genuine article.** At the heart of the support network is our impressive World Parts Centre, a state-of-the-art facility operating 24/7 to dispatch more than a million genuine parts and attachments every week to our dealers and international distribution centres. Because we understand the need to minimise downtime, we utilise the latest logistics and warehouse management systems and have committed to an 'Anywhere in 24 hours' strategy.

**Keeping you up and running.** Just as important as genuine JCB parts are the people who fit and maintain them. Our JCB-trained technicians in all of those 1,500-plus dealer depots provide excellent, expert customer care, whether it's routine servicing or something more urgent. If there is an emergency breakdown situation, we need to act fast. This is why all our dealers operate their own fleets of support vehicles, enabling parts to be delivered quickly and fitted expertly, and fulfilling our promise to keep our customers working.

**Maximising earning potential.** We grow as our customers grow. That's why, at JCB, we are committed to offering expert financial advice and support to help customers maximise their earning potential.

Finance options\* are available for new and used machinery, all part of our dedication to helping customers preserve their working capital while spreading costs in the most effective and tax-efficient way.

And as well as financial help, we are also happy to offer JCB Insurance.\* We specialise in construction and industrial insurance and in offering Insurance Premium Finance facilities.

*\* Please check individual countries for available services.*





JCB Sales Limited, Rocester, Staffordshire, United Kingdom ST14 5JP. Tel: +44 (0)1889 590312. Email: [salesinfo@jcb.com](mailto:salesinfo@jcb.com)

Download the very latest information on this product range at: [www.jcb.com](http://www.jcb.com)

©2009 JCB Sales. All rights reserved. No part of this publication may be reproduced, stored in a retrieval system, or transmitted in any form or by any other means, electronic, mechanical, photocopying or otherwise, without prior permission from JCB Sales. JCB reserves the right to change specifications without notice. Illustrations and specifications shown may include optional equipment and accessories. The JCB logo is a registered trademark of J C Bamford Excavators Ltd.